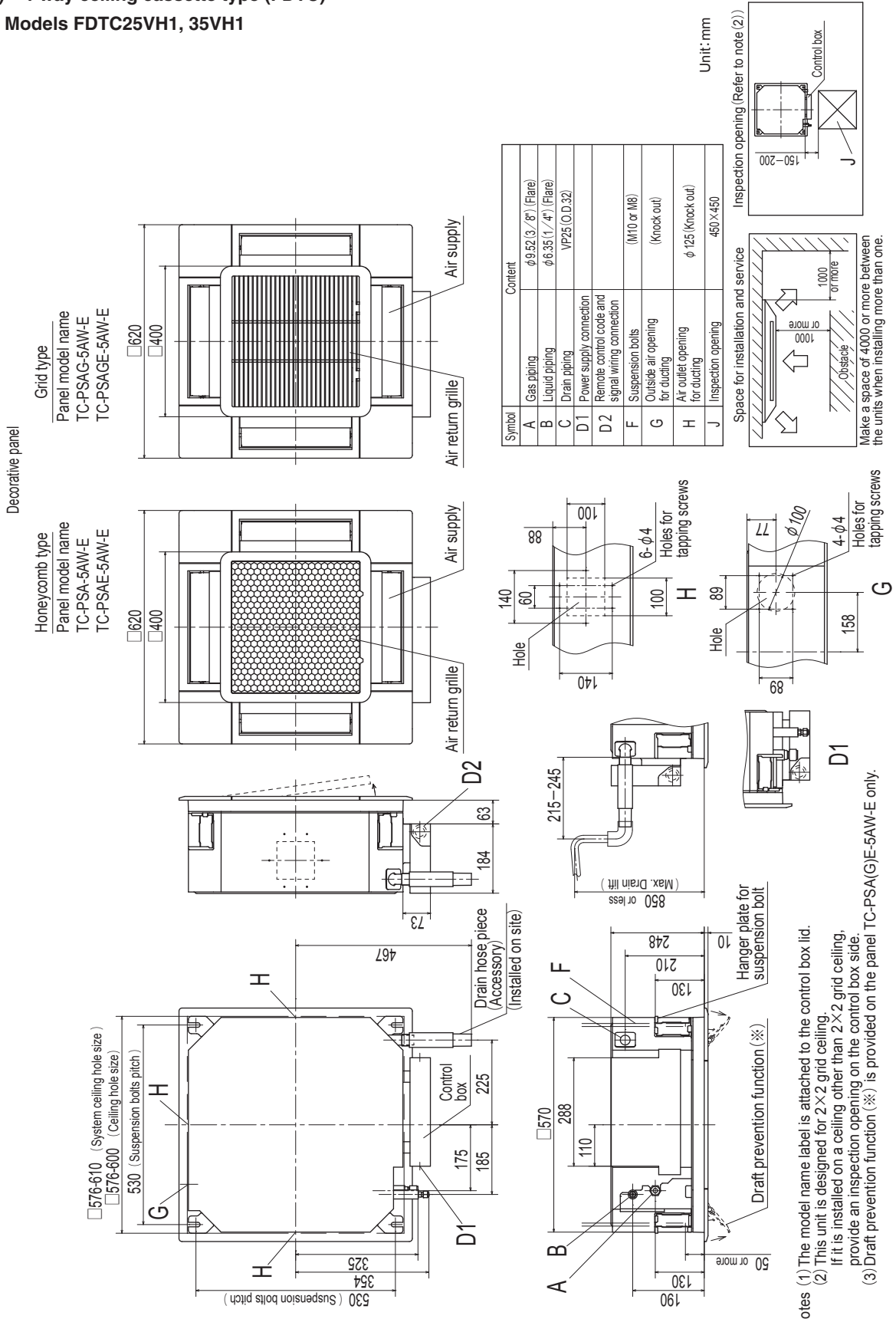


(d) 4-way ceiling cassette type (FDTC)
Models FDTC25VH1, 35VH1



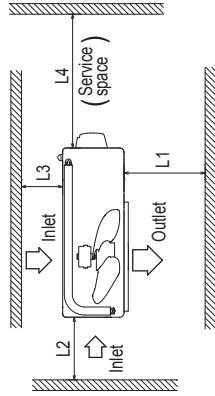
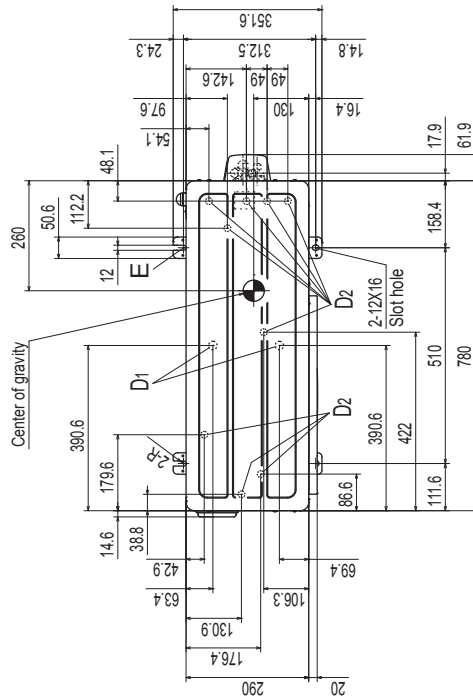
(2) Outdoor units

Models SRC20ZS-WA, 25ZS-WA2, 35ZS-WA2

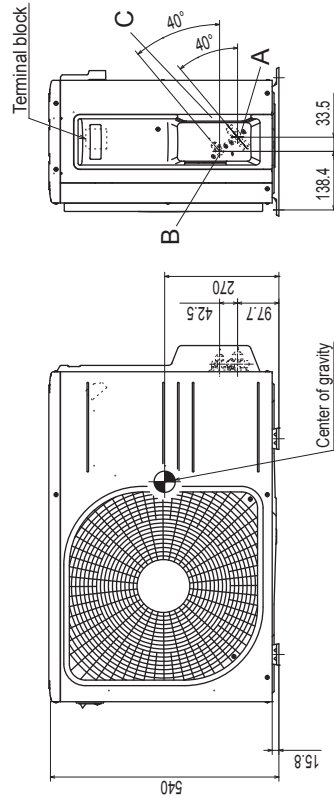
Notes

- (1) The unit must not be surrounded by walls on the four sides.
- (2) The unit must be fixed with anchor bolts. An anchor bolt must not protrude more than 15mm.
- (3) If the unit is installed in the location where there is a possibility of strong winds, place the unit such that the direction of air from the outlet gets perpendicular to the wind direction.
- (4) Leave 200mm or more space above the unit.
- (5) The wall height on the outlet side should be 1200mm or less.
- (6) The model name label is attached on the right side of the unit.

Symbol	Content
A	Service valve connection (gas side) φ9.52 (3/8") (Flare)
B	Service valve connection (liquid side) φ6.35 (1/4") (Flare)
C	Pipe/cable draw-out hole
D1	Drain discharge hole φ20 × 2places
D2	Drain discharge hole φ16 × 9places
E	Anchor bolt hole M10-12 × 4places



Installation space	Requirement
L1	280 or more
L2	100 or more
L3	80 or more
L4	250 or more



Space for installation and service when viewing from the front